

Product Information NSL-F-02, NSL-FR-02

FOOD

Continuous level sensor NSL-F(R)-02 double rod version

Range of application

- Continuous level measurement in non-metallic vessels
- Level measurement of foaming media
- Minimum product conductivity typically from 50 $\mu\text{S}/\text{cm}$ (available on request for lower values)
- Hygienic substitute for float sensors

Application examples

- Process such as ballance tanks and fillers
- Level measurement in storage vessels
- Level monitoring in pressurized vessels

Hygienic design/Process connection

- The Tri-Clamp and Varivent hygienic process connections and an adapter solution using the Negele CLEANadapt installation system ensure an easy-to-sterilize hygienic installation configuration without gaps and dead spaces.
- Product contacting materials compliant to FDA
- Sensor made of stainless steel (protection class IP 69 K)
- CIP-/SIP-cleaning up to 143 °C / max. 120 minutes

Features

- Individual parameter adjustment or programming via PC interface
- Current signal for measurement range, dry signal and error signal adjustable
- Display module Simple User Interface (SUI) and Large User Interface (LUI)
- Remote version with cable length up to 30 m

Head unit remote version (HUR)



Large User Interface (LUI)



Authorizations



Government-funded

Supported by:



on the basis of a decision by the German Bundestag

NSL-F-02



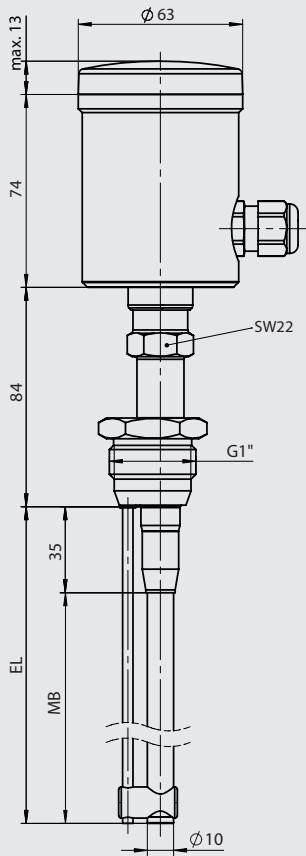
Note

This product information is a supplement to Product Information NSL-F-00.

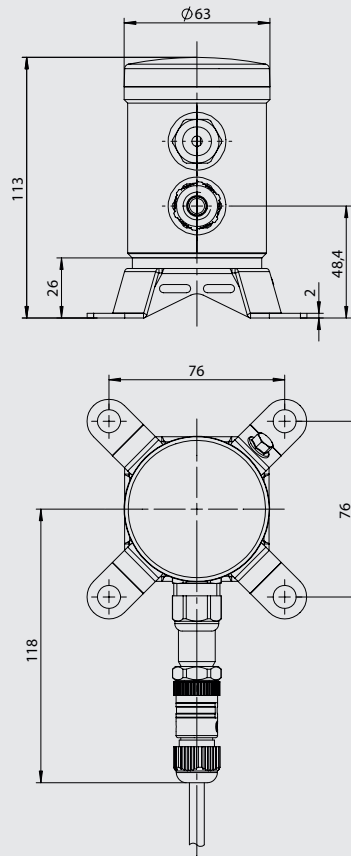
Except for the rod length of 200 mm up to max. 1500 mm, the NSL-F-02 is identical to the NSL-F-00. The data, instructions and other information provided in Product Information NSL-F-00 also apply to this sensor variant.



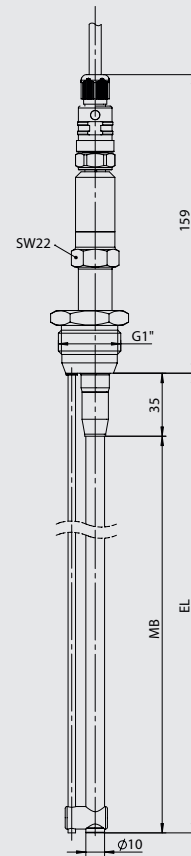
Drawing NSL-F-02



HUR | Head unit remote version



Drawing NSL-FS-02



Order code

NSL-FR-02 (Potentiometric level sensor for food application, remote version in 4-wire technology, double rod version)

Rod length EL, please order in 10-mm steps, e.g.: 0220, 0230, 0240, etc., max length 1500 mm.
(intermediate sizes in 1-mm steps available on request)

0200...1500 (material 1.4404)

Process connection version

S21 (CLEANadapt G1" hygienic, for double rod version, sensor eccentric)
TC1 (Tri-Clamp 1½")
TC2 (Tri-Clamp 2")
T25 (Tri-Clamp 2½")
TC3 (Tri-Clamp 3")
V25 (Varivent type F, DN 25)
V40 (Varivent type N, DN 40/50)

Material certificate

O (No certificate, standard)
Z (With 3.1 material certificate for 1.4404)

Installation position

2 (Installation from top)
4 (Installation from bottom)

Output signal

A42 (4...20 mA, analog, 4-wire)

Electrical connection

P (Cable gland M16x1.5)
M (M12 plug, 1.4305)
L (M12 plug 5-pins, pin assignment according to LN sensor)

Interface/Display

X (Without interface)
L (Large User Interface with display)

Cap

X (Opaque plastic)
P (Clear plastic)
M (Stainless steel without control window)
W (Stainless steel with control window)

Insulation at rod end

XX (Without, standard)

Parameter configuration

X (Standard)
C (Write out details)

NSL-FR-02 / 1500 / S21 / O / 2 / A42 / P / X / X / XX / X

Order code

NSL-F-02 (Potentiometric level sensor for food application, compact version in 4-wire technology, double rod version)

Rod length EL, please order in 10-mm steps, e.g.: 0220, 0230, 0240, etc., max length 1500 mm.
(intermediate sizes in 1-mm steps available on request)

0200...1500 (material 1.4404)

Process connection version

S21 (CLEANadapt G1" hygienic, for double rod version, sensor eccentric)
TC1 (Tri-Clamp 1½")
TC2 (Tri-Clamp 2")
T25 (Tri-Clamp 2½")
TC3 (Tri-Clamp 3")
V25 (Varivent type F, DN 25)
V40 (Varivent type N, DN 40/50)

Material certificate

O (No certificate, standard)
Z (With 3.1 material certificate for 1.4404)

Installation position

1 (Installation from top, head orientation horizontal)
2 (Installation from top, head orientation vertical)
3 (Installation from bottom, head orientation horizontal)
4 (Installation from bottom, head orientation vertical)

Output signal

A42 (4...20 mA, analog, 4-wire)

Electrical connection

P (Cable gland M16x1.5)
M (M12 plug, 1.4305)
L (M12 plug 5-pins, pin assignment according to LN sensor)

Interface/Display

X (Without interface)
S (Simple User Interface with small display)
L (Large User Interface with display)

Cap

X (Opaque plastic)
P (Clear plastic)
M (Stainless steel without control window)
W (Stainless steel with control window)

Insulation at rod end

XX (Without, standard)

Parameter configuration

X (Standard)
C (Write out details)

NSL-F-02 / 1500 / S21 / O / 1 / A42 / P / X / X / XX / X